



UNITED BRASS WORKS, INC.

714 S. Main St., Randleman, NC 27317

Tel: 800-334-3035 Fax: 800-498-4696 www.ubw.com



Model 132 Inspector's Test & Relief Valve

UL Listed

Relief Pressure 175 PSI

Soft Disc • 200 WOG @ 180 ° Max

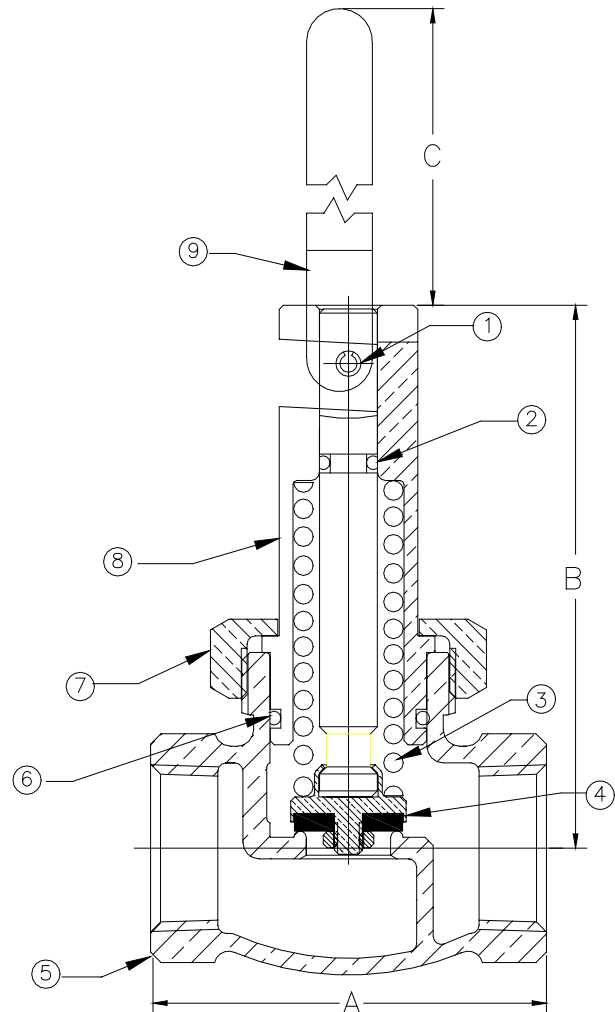
100% Pressure Tested

Threaded Ends • Swivel Disc Holder

Rising Stem • Integral Seat

MATERIAL LIST

NO.	DESCRIPTION	MATERIAL
1	Spring Pin	Steel
2	Stem O-Ring	Buna-N
3	Spring	Steel
4	Stem / Disc Holder	Brass
5	Body	Bronze
6	O-Ring	Buna-N
7	Bonnet Nut	Brass
8	Bonnet	Brass
9	Lever	Brass



Size	1"
A	3.06
B	4.13
C	2.85
Ship Wgt.	2.30
Qty. Case	1